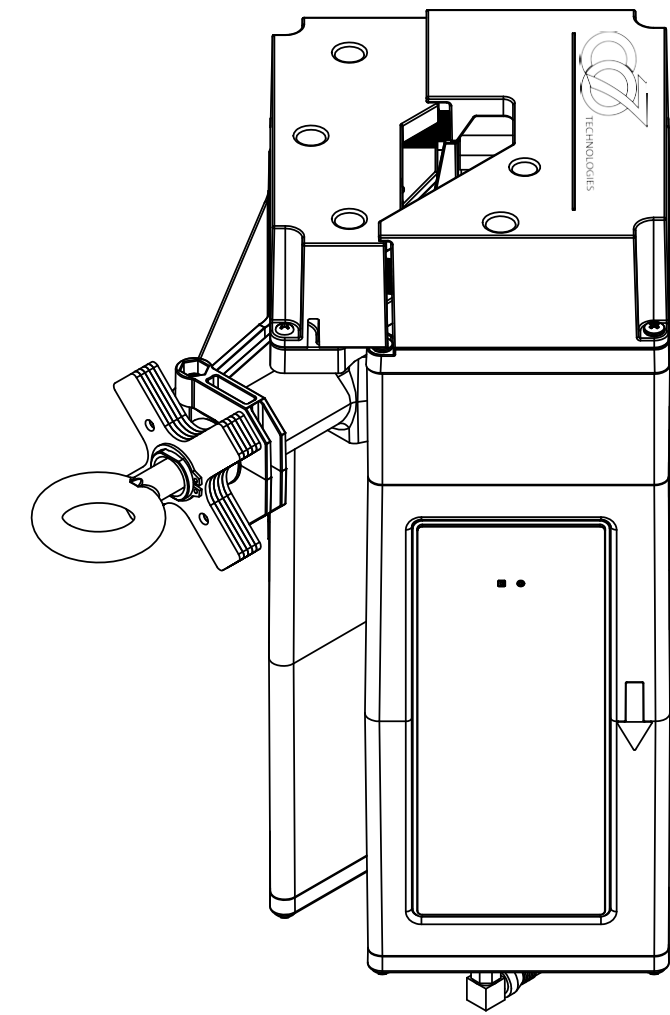
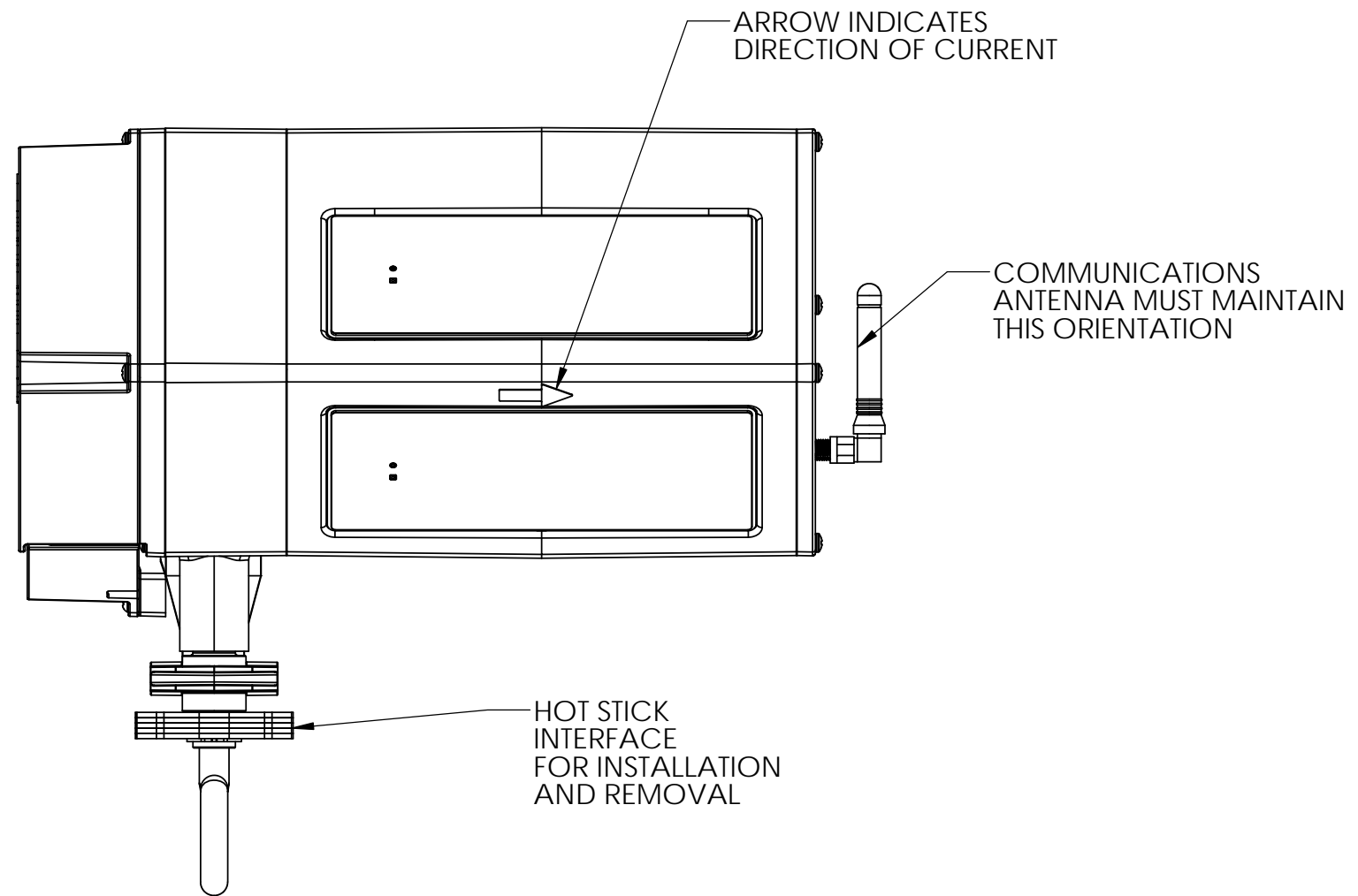


8 7 6 5 4 3 2 1

REVISIONS						
ZONE	REV.	DESCRIPTION	DATE	DRAWN	CHK'ED	APPROVED
N/A	A	INITIAL RELEASE	03/17/2015	JRG	NMJ	JTB



CONFIGURATION TABLE USED TO FILL IN LABELS 1102192332 AND 1102192333

<PART NUMBER>	<PRODUCT NAME>	<BARCODE 1>	<SERIAL NUMBER>	<SPEC LINE 1>	<SPEC LINE 2>
PRD-1102191008	PRODUCT, MEDIUM VOLTAGE 4 SENSOR, CFD	XXXXX	2.16.840.1.114516.1.9XXXXXX	7.2, 14.4, 19.9kV, 400A	ACCURACY CLASS: 1.0 MULT: 1

PRODUCT SPECIFICATIONS:

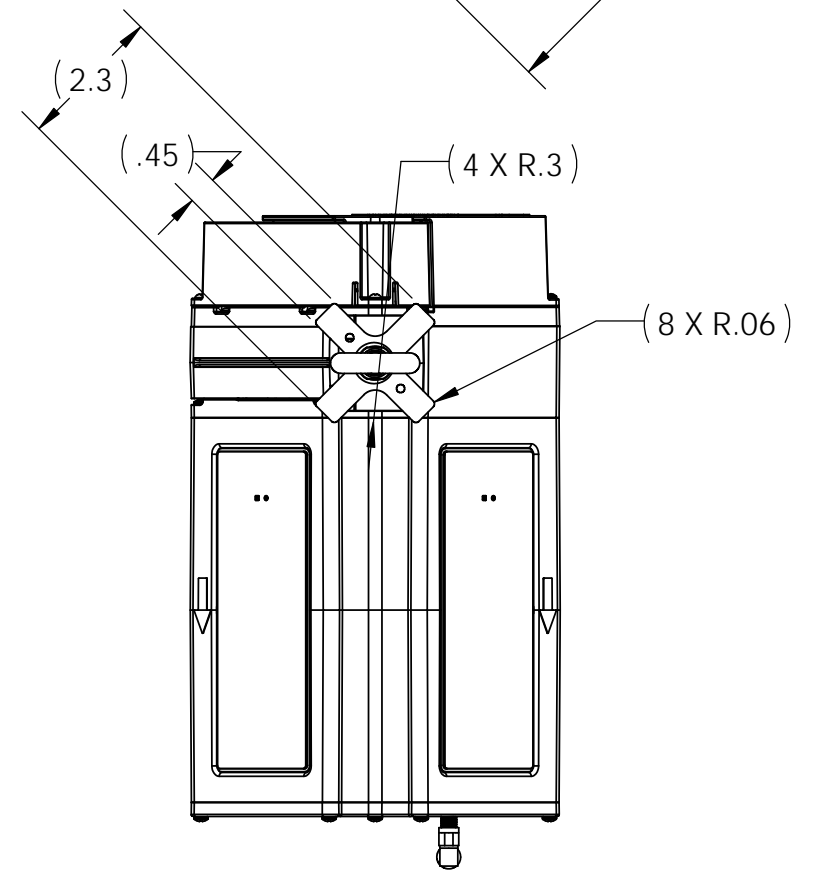
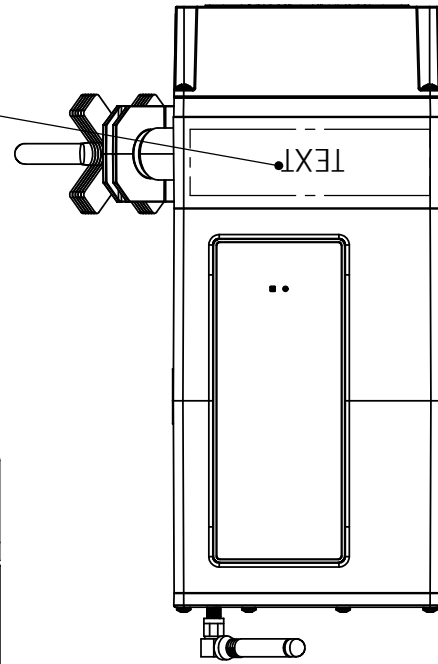
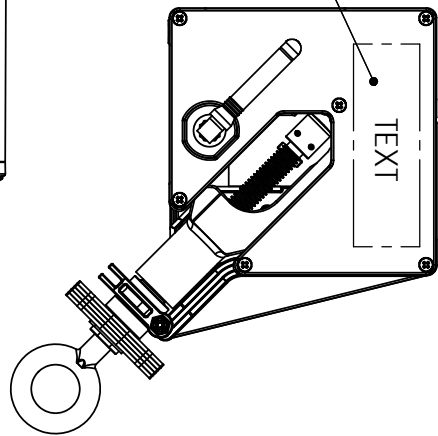
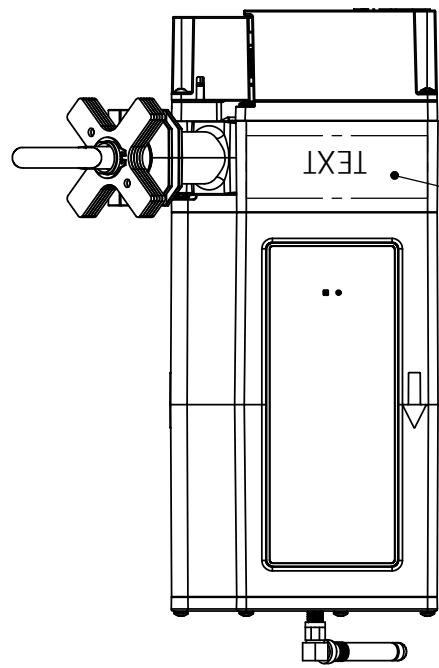
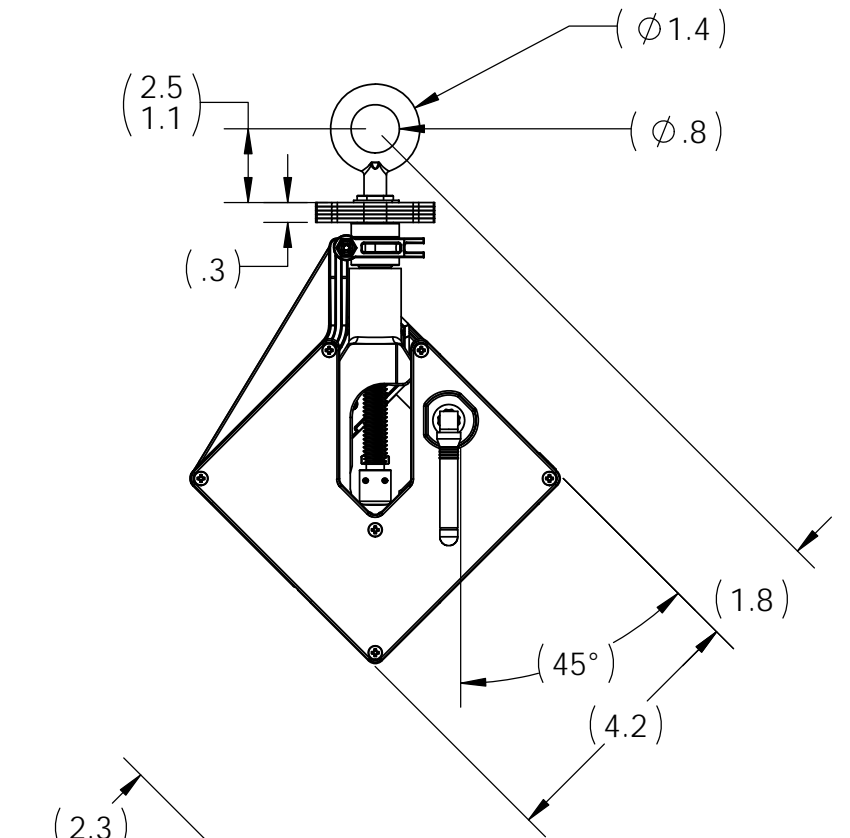
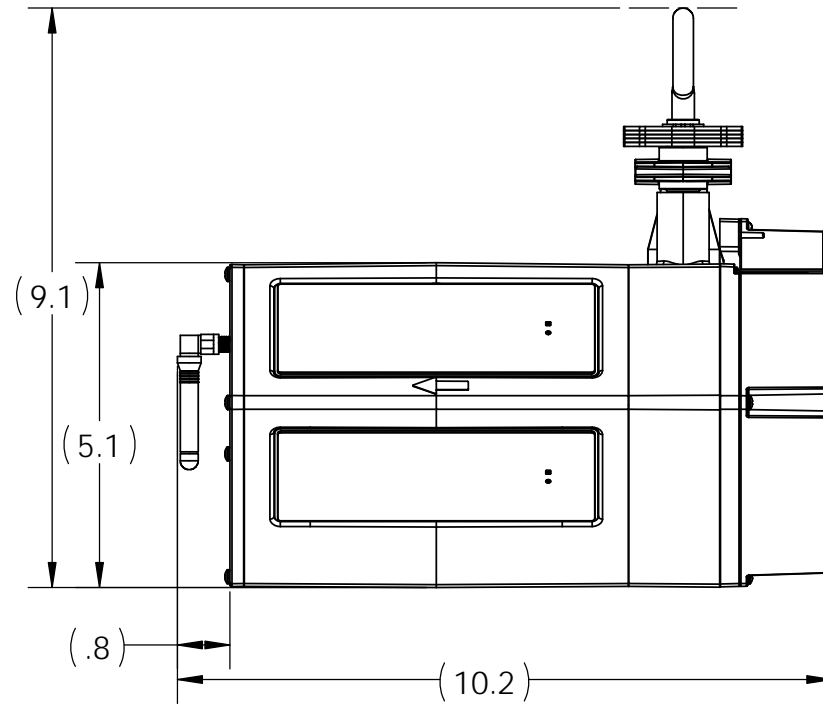
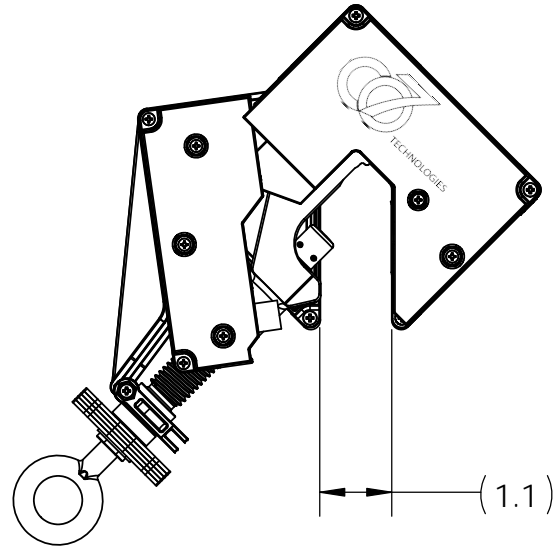
- DO NOT DISASSEMBLE
- SEE 1102196007 FOR COMPLETE SPECIFICATIONS
- PHYSICAL CHARACTERISTICS
 - WEIGHT: 4.4 LBS
 - PRODUCT ENVELOPE: 9.1 X 5.1 X 10.2
 - MIN CONDUCTOR SIZE: #2 AWG
 - MAX CONDUCTOR SIZE: 336.4 KCMIL
- ELECTRICAL CHARACTERISTICS
 - RATED VOLTAGE: 7.2, 14.4, AND 19.9kV_{RMS} ϕ TO NEUTRAL
 - RATED CURRENT: 400 A_{RMS}
 - ACCURACY CLASS DESIGNATION: 1.0_{RMS}
 - METER MULTIPLIER: 1
- ENVIRONMENTAL CHARACTERISTICS
 - TEMPERATURE: -40 °C - +50 °C
 - HUMIDITY: 0% TO 95%

THIRD ANGLE PROJECTION	INTERPRET DRAWINGS IN ACCORDANCE WITH ASME Y14.5M-1994
	UNLESS OTHERWISE SPECIFIED BREAK CORNERS .005-.015
UNLESS OTHERWISE SPECIFIED DIMENSIONS ARE IN INCHES.	REMOVE BURRS AND BREAK SHARP EDGES
TOLERANCES ARE:	UNLESS OTHERWISE SPECIFIED DIMENSIONS APPLY AFTER FINISH
DECIMALS: X ± .030	MATERIAL: N/A
ANGLES: ± 5°	HEAT TREATMENT: N/A
FRACTIONS: XX ± .010	FINISH: N/A
DO NOT SCALE DRAWING	
SURFACE FINISH: 63/RMS	

CO7 TECHNOLOGIES INC. PROPRIETARY			
DRAWN	JRG	03/17/2015	
CHECKED	NMJ	03/20/2015	
APPROVED	JTB	03/20/2015	
APPLICATION			
NEXT ASSY:	N/A		
FINAL ASSY:	N/A		
MACHINE:	MVSS		
PROJECT:	IRD-110219		
SIZE	CAGE	PRD-1102191008	REV
B	5B2G7		A
SCALE: 1:2	WEIGHT: SEE SPEC LBS	SHEET: 1 OF 2	

8 7 6 5 4 3 2 1

CLAMP OPEN



Technology Solutions Group

PRODUCT, MEDIUM VOLTAGE
4 SENSOR; CFD

SIZE B	CAGE 5B2G7	PRD-1102191008	REV A
SCALE: 1:3		WEIGHT: SEE SPEC LBS	SHEET: 2 OF 2